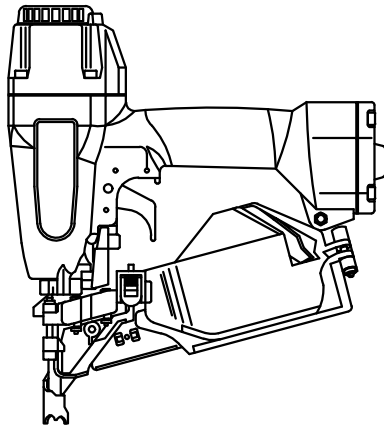


1) TOOL TYPE - GERAETETYP - DESCRIZIONE MACCHINA - TYPE D'OUTIL - TIPO DE MAQUINA

cod. 11350.03 33 CN15W-PS50 SCR



2) TOOL CHARACTERISTICS

SPEZIFIKATION DES GERAETES  
 CARATTERISTICHE TECNICHE  
 CARACTÉRISTIQUES DE L'OUTIL  
 CARACTERÍSTICAS DE LA MAQUINA

HEIGHT - HAUTEUR HOEHE - ALTURA ALTEZZA	WIDTH - LARGEUR BREITE - ANCHURA LARGHEZZA	LENGTH - LONGUEUR LAENGE - LONGITUD LUNGHEZZA	WEIGHT - POIDS GEWICHT - PESO PESO
in. 11.42 mm. 290	in. 4.33 mm. 110	in. 10.35 mm. 263	lbs. 4.12 kg. 1.870

MIN-MAX WORKING PRESSURE MIN-MAX ARBEITSDRUCK MIN-MAX PRESSIONE DI ESERCIZIO MIN-MAX PRESSION DE TRAVAIL MIN-MAX PRESION DE TRABAJO	70 / 100 psi 5 / 7 BAR
---	---------------------------

AIR CONSUMPTION PER CYCLE LUFTVBRUCH PRO NAGELUNG CONSUMO ARIA PER COLPO CONSOMMATION DE L'AIRE PAR COUP CONSUMO DE AIRE CADA DISPARO	PERFORMANCES AT 90 psi (0.62 MPa) PRESTAZIONI A 6.2 BAR (0.62 MPa) 0.026 SCF 0.75 L.
---	---

RECOMMENDED LUBRICANT EMPFOHLENES SCHMIERMITTEL LUBRIFICANTE RACCOMANDATO LUBRIFIANT RECOMMANDÉ LUBRIFICANTE RECOMENDADO	GREASE: MULTI-PURPOSE SYNTHETIC GREASE WITH SYNCOLON® (PTFE) OIL: MINERAL OIL WITHOUT DETERGENT	SUPER-LUBE®
--	--	-------------

* ACTUATION SYSTEM * AUSLÖSEART * ATTUAZIONE * MISE EN ŒUVRE * ACTUACION	2) SINGLE SEQUENTIAL ACTUATION 4) CONTACT ACTUATION
--	--

\* SEE INSTRUCTION MANUAL - SIEHE BETRIEBSANLEITUNG  
 - VEDI MANUALE - VOIR MODE D'EMPLOI - VER EL MANUAL

* LOADING * LADEN * CARICAMENTO * CHARGER * CARGA	BOTTOM LOADING SIDE LOADING TOP LOADING <input checked="" type="radio"/> COIL OTHER
---	---

NOISE CHARACTERISTICS GERÄUSCH - EMISSION DATEN CARATTERISTICHE RUMOROSITÀ CARACTÉRISTIQUES ACOUSTIQUE CARACTERÍSTICAS DE RUIDO	UNI EN 12549:2009 ISO EN ISO 11201
---	---------------------------------------

$L_{WA,1s}$ : 96.3 dB(A) - $K_{WA,1s}$ : 2.5
$L_{pA,1s}$ : 90.6 dB(A) - $K_{pA,1s}$ : 2.5

VIBRATION VALUE VIBRATIONSWERT VALORE DI VIBRAZIONE VALEUR DE VIBRATION VALOR DE VIBRACIÓN	UNI CEN ISO/TS 8662-11:2006 m/s <sup>2</sup> 2.2
--	--

3) FASTENER DATA

ANGABEN ZU DEN BEFESTIGUNGSMITTELN  
 CARATTERISTICHE TECNICHE FISSAGGI  
 DONNEES DES PROJECTILES  
 DATOS DE CLAVOS

SCRAIL®		
	WIRE SCHAFT FILO ALAMBRE TIGE	A in. .067 - .079 mm. 1.7 - 2.0 B in. .079 - .09 mm. 2.0 - 2.3
C) HEAD - KOPF - TESTA TETE - CABEZA	STAR/TORX - VERSA SQUARE - PHILIPS - POZI	
D) PITCH - TEILUNG PASSO - PAS PASO	WIRE in. .236 - .275 mm. 6.0 - 7.0	PLASTIC in. .236 mm. 6.0
L) LENGTH LAENGE LUNGHEZZA LONGEUR LONGITUD	in. 7/8" - 2" mm. 22 - 50	
MAGAZINE CAPACITY MAGAZIN CAPAZITÄT CAPACITÀ CARICATORE CAPACITÉ CHARGEUR CAPACIDAD CARGADOR	300 SCRAIL®	

NAIL			
	WIRE SCHAFT FILO ALAMBRE TIGE	PLASTIC	
A) WIRE SCHAFT FILO ALAMBRE TIGE	SHANK SMOOTH HDG RING HDG SCREW EG KNURLED EG	WIRE in. .063-.098 mm. 1.6-2.5 in. .063-.090 mm. 1.6-2.3 in. .063-.098 mm. 1.6-2.5 in. .063-.083 mm. 1.6-2.1 in. .063-.090 mm. 1.6-2.3 in. .063-.098 mm. 1.6-2.5 in. .063-.090 mm. 1.6-2.3 in. .063-.098 mm. 1.6-2.5	PLASTIC in. .063-.098 mm. 1.6-2.5 in. .063-.098 mm. 1.6-2.1 in. .063-.098 mm. 1.6-2.5 in. .063-.098 mm. 1.6-2.5
C) HEAD - KOPF TESTA - TETE CÂBEZA	in. .138 - .197 mm. 3.5 - 5.0		
D) PITCH - TEILUNG PASSO - PAS PASO	WIRE in. .236 - .275 mm. 6.0 - 7.0	PLASTIC in. .236 mm. 6.0	
L) LENGTH - LAENGE LUNGH. - LONGEUR LONGITUD	in. 7/8" - 2" mm. 22 - 50		
MAGAZINE CAPACITY MAGAZIN CAPAZITÄT CAPACITÀ CARICATORE CAPACITÉ CHARGEUR CAPACIDAD CARGADOR	200-400 NAILS		